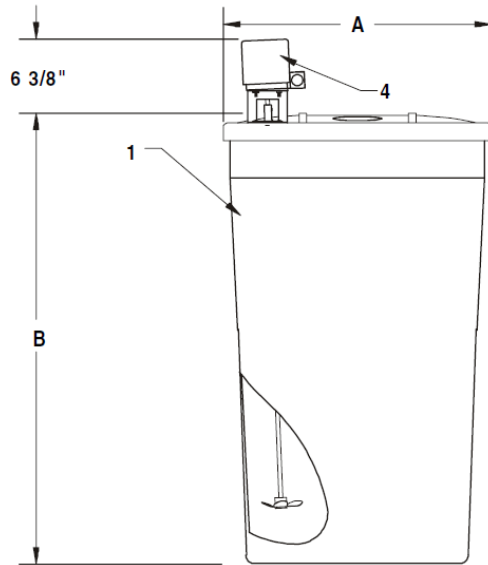
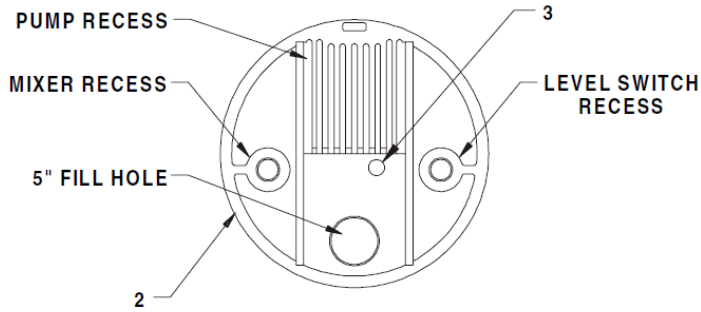


MANUFACTURING: Mixers, Bypass Feeders, Filter Feeders, Bromine Feeders, Sample Coolers, Sludge Traps, Separators, Separator Systems, Tank Stands, Tank Package Systems, Glycol Feed Systems, Coupon Racks, Control Stations, NEMA Enclosures, Custom Packaged Systems and Specialty Welding

Specification Sheet #160010 Rev. "C" (12/02)

ECONOMY "PE" TANK PACKAGES



SPECIFICATIONS:

KEY	PART	DESCRIPTION
1		TANK: Constructed of UV stabilized high density low linear polyethylene 1/4" minimum thickness, tapered by design
2	EP[*]	COVER: Constructed of black UV resistant polyethylene with molded recesses for metering pump, mixer and low level control mounting, reinforced by two 5/16" D 316 stainless steel rods
3		PUMP SUCTION: Constructed from rigid 1/2" MNPT Sch. 80 PVC, comes standard with foot valve and strainer
4	100M	MIXER (OPTIONAL): 1/20 HP, TEFC, 115V, 50/60 Hz, 1PHS with 8ft. single jacket power cord, 5/16" D 316 SS shaft with 4" D 316SS propeller, includes brass mixer coupling with 304SS set screws

DIMENSIONS & WEIGHT:

KEY	EP30P	EP30P-100M	EP50P	EP50P-100M
A	23 1/4"	23 1/4"	23 1/4"	23 1/4"
B	23 1/2"	23 1/2"	52 1/2"	52 1/2"
Max. Volume	30 gallons	30 gallons	50 gallons	50 gallons
Weight	15 lbs. approx.	25 lbs. approx.	21 lbs. approx.	31 lbs. approx.

Note: All dimensions are +/- 1/8". All weights are approximate. All dimensions are subject to change without notice.